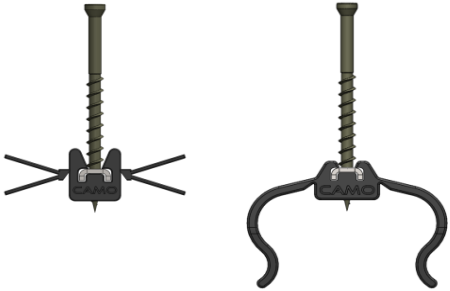


JOB NAME:	
CONTRACTOR:	DATE:



**CAMO® EDGECLIP™ & EDGEXCLIP™**

**Size:** #7  
**Head Type:** Trim  
**Drive Type:** T15 Star  
**Point Type:** Sharp Point



**APPLICATION** For indoor or outdoor applications  
 Designed for installation of grooved deck board materials on wood joists

**FEATURES** Compatible with chemically treated lumber  
 Features black coating for reduced visibility  
 UV protected plastic clip  
 Clip covers and hides joist visibility  
 Gusset designed for high holding power  
 Longer screw for increased holding power  
 Screw remains accessible for easy removal

**MATERIALS** 304 Stainless Gusset  
 410 Stainless Screw  
 Nylon Plastic Spacer Body

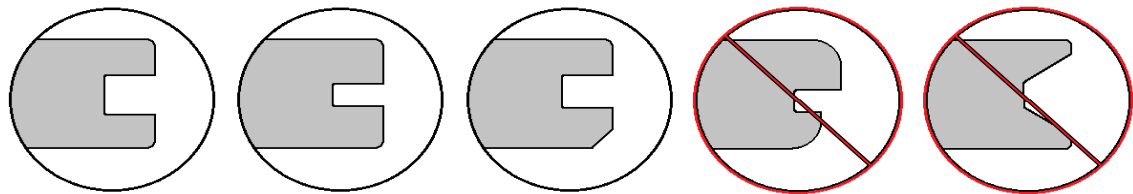
**COATINGS** Black Zinc over 304 Stainless meets ASTM B117 for salt spray corrosion testing  
 Black ecoat over 410 stainless steel is compatible with chemically treated lumber  
 Stainless Steel screws are passivated per ASTM A380 standard

**SPECIFICATIONS** Uplift Test per ICC-ES AC174 performed by Intertek (Report H6860.01-119-19)  
 UV Test per ASTM D2565 performed by Intertek (Report H6863.01-119-19)  
 Lateral Load in Hot/Cold performed by Intertek (Report H6868.01-119-19)

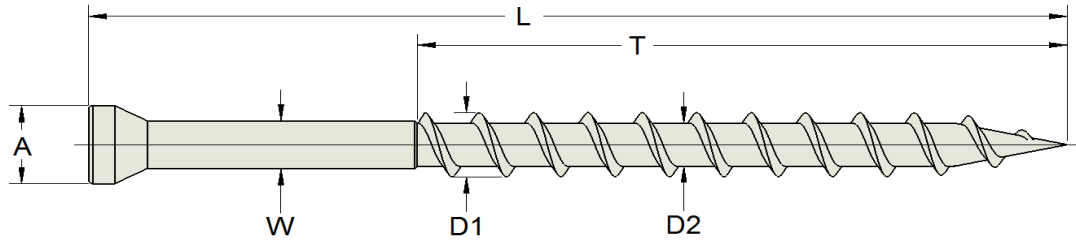
**INSTALLATION** Not recommended for use with impact drivers  
 Works in tandem with the Camo Starter Clip for grooved deck boards



**CAUTION** Not intended for side wall applications  
 Deck boards have many different shapes forming the grooves used for clip attachment. Shape variations may include rounded corners and slightly angled grooves. The steeper these angles, the less effective the EdgeXClip winged pre-installation will be. The deeper the groove extends into the board, the higher the risk of board damage from overtightening the screw.



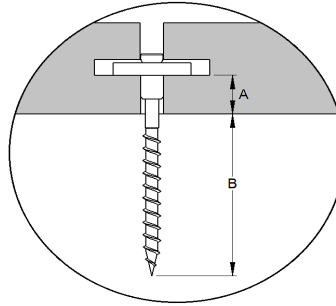
**FASTENER DIMENSIONS**



Head Dia.	Major Thread Dia.	Minor Thread Dia.	Overall Length	Shank Dia.	Thread Length
A	D1	D2	L	S	T
Ø 0.200 in	Ø 0.167 in	Ø 0.109 in	2-1/4 in	Ø 0.122 in	1-1/2 in

**PENETRATION DEPTH**

MINIMUM deck board groove should be 1/8" tall x 1/4" deep. The material remaining below groove (dim A) must be at least 1/4". The bottom of the plastic part of the clip is not designed to contact the joist. See image to the right for a visual representation of the EdgeClip.



Dimension A	Dimension B
1/4 in	1-3/4 in
3/8 in	1-5/8 in
1/2 in	1-1/2 in

These values can be applied to both the EdgeClip & EdgeXClip.

PRODUCT AVAILABLE

	SKU	Coverage	Drive Bit (QTY) Size	Box Count QTY	Master Pack
	0344354	50 ft <sup>2</sup>	(1) T15	90 ct	4 pack
	0344359	250 ft <sup>2</sup>	(1) T15	450 ct	1 pack
	0344356	500 ft <sup>2</sup>	(2) T15	900 ct	1 pail
<b>DIRECTIONS</b>	Slip legs of clip over the installed joist and slide it so the gusset fits inside the board's groove. Repeat for each joist along the length of the deck board. Place the next deck board in position and slide against the clips. The groove should slip over the exposed gusset on the clips. Maintain steady pressure on deck board while securing the screws. Use a standard screw gun, the included T15 drive bit, and the included Never-Miss Guide. For the most efficient installation, use the CAMO Drive tool (sold separately).				
(1) Never-Miss Plastic Guide in Every Box					

	SKU	Coverage	Drive Bit (QTY) Size	Box Count QTY	Master Pack
	0344554	50 ft <sup>2</sup>	(1) T15	90 ct	4 pack
	0344559	250 ft <sup>2</sup>	(1) T15	450 ct	1 pack
	0344556	500 ft <sup>2</sup>	(2) T15	900 ct	1 pail
<b>DIRECTIONS</b>	Squeeze and slip wings of clip into the groove of deck board. Take care to place it so there is a joist board directly underneath. Repeat for each joist along the length of the deck board. Place the next deck board in position and slide against the clips. The groove should slip over the exposed gusset on the clips. Maintain steady pressure on deck board while securing the screws. Use a standard screw gun, the included T15 drive bit, and the included Never-Miss Guide. For the most efficient installation, use the CAMO Drive tool (sold separately).				
(1) Never-Miss Plastic Guide in Every Box					